

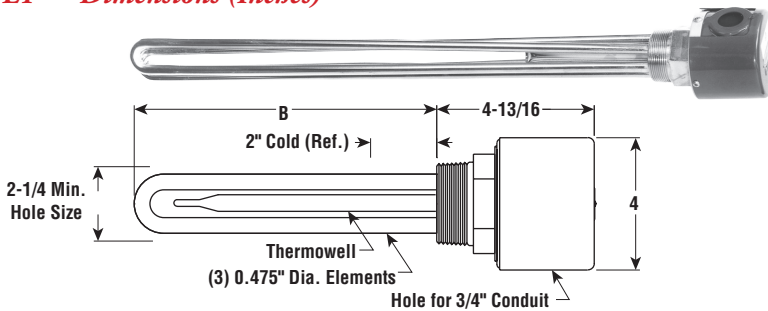
Immersion

EMTS-3

Process Water Applications (cont'd.)

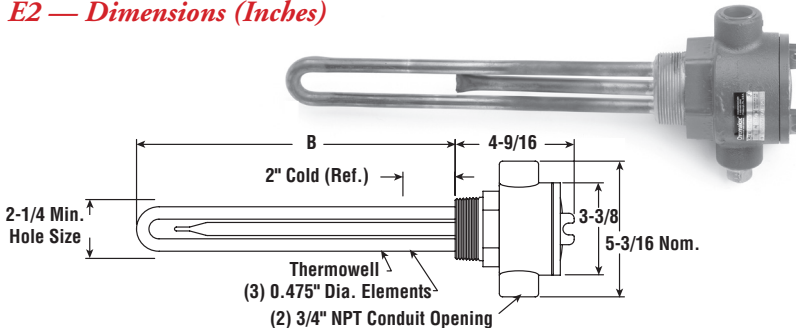
- 2" NPT Stainless Steel Passivated Screw Plug
- Stainless Steel Passivated Sheath Elements
- High Watt Density (38 - 47 W/In²)
- 3 - 18 kW
- Without Thermostat
- 208, 240 and 480 Volt, 1 and 3 Phase
- General Purpose, Moisture Resistant/Explosion Resistant Terminal Enclosure or Moisture Resistant

E1 — Dimensions (Inches)

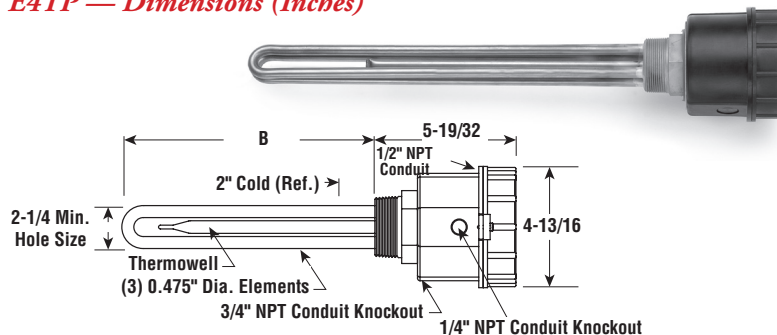


SCREW PLUG

E2 — Dimensions (Inches)



E4TP — Dimensions (Inches)



Specifications and Ordering Information

| | | | | | | E1 General Purpose ¹ | | | | E2 Moisture Resistant/Explosion Resistant ² | | | | E4 Moisture Resistant | | | |
|----|-------|-------|-------------------|-----------|-------------|---------------------------------|----------|---------------|------------|--|-------|--------|------------|-----------------------|-------|--------|------------|
| kW | Volts | Phase | W/In ² | No. Elem. | DIM B (In.) | Model | Stock | PCN | Wt. (Lbs.) | Model | Stock | PCN | Wt. (Lbs.) | Model | Stock | PCN | Wt. (Lbs.) |
| 12 | 208 | 1 | 40 | 3 | 32-7/16 | EMTS-3120* | NS | 092611 | 9 | EMTS-3120E2* | NS | 092670 | 12 | EMTS-3120E4TP* | NS | 061612 | 9 |
| 12 | 208 | 3 | 40 | 3 | 32-7/16 | EMTS-3120 | NS | 092620 | 9 | EMTS-3120E2 | NS | 092689 | 12 | EMTS-3120E4TP | NS | 061620 | 9 |
| 12 | 240 | 1 | 40 | 3 | 32-7/16 | EMTS-3120* | NS | 092638 | 9 | EMTS-3120E2* | NS | 092697 | 12 | EMTS-3120E4TP* | NS | 061639 | 9 |
| 12 | 240 | 3 | 40 | 3 | 32-7/16 | EMTS-3120 | S | 092646 | 9 | EMTS-3120E2 | NS | 092700 | 12 | EMTS-3120E4TP | NS | 061647 | 9 |
| 12 | 480 | 1 | 40 | 3 | 32-7/16 | EMTS-3120 | NS | 092654 | 9 | EMTS-3120E2 | NS | 092718 | 12 | EMTS-3120E4TP | NS | 061655 | 9 |
| 12 | 480 | 3 | 40 | 3 | 32-7/16 | EMTS-3120 | NS | 092662 | 9 | EMTS-3120E2 | NS | 092726 | 12 | EMTS-3120E4TP | NS | 061663 | 9 |
| 15 | 208 | 1 | 41 | 3 | 40-3/8 | EMTS-3150* | NS | 092734 | 10 | EMTS-3150E2* | NS | 092793 | 13 | EMTS-3150E4TP* | NS | 061671 | 10 |
| 15 | 208 | 3 | 41 | 3 | 40-3/8 | EMTS-3150 | NS | 092742 | 10 | EMTS-3150E2 | NS | 092806 | 13 | EMTS-3150E4TP | NS | 061680 | 10 |
| 15 | 240 | 1 | 41 | 3 | 40-3/8 | EMTS-3150* | NS | 092750 | 10 | EMTS-3150E2* | NS | 092814 | 13 | EMTS-3150E4TP* | NS | 061398 | 10 |
| 15 | 240 | 3 | 41 | 3 | 40-3/8 | EMTS-3150 | S | 092769 | 10 | EMTS-3150E2 | NS | 092822 | 13 | EMTS-3150E4TP | NS | 061700 | 10 |
| 15 | 480 | 1 | 41 | 3 | 40-3/8 | EMTS-3150 | NS | 092777 | 10 | EMTS-3150E2 | NS | 092830 | 13 | EMTS-3150E4TP | NS | 061719 | 10 |
| 15 | 480 | 3 | 41 | 3 | 40-3/8 | EMTS-3150 | S | 092785 | 10 | EMTS-3150E2 | NS | 092849 | 13 | EMTS-3150E4TP | NS | 061727 | 10 |
| 18 | 208 | 1 | 41 | 3 | 47-7/8 | EMTS-3180* | NS | 092857 | 12 | EMTS-3180E2* | NS | 092910 | 15 | EMTS-3180E4TP* | NS | 061735 | 12 |
| 18 | 208 | 3 | 41 | 3 | 47-7/8 | EMTS-3180* | NS | 092865 | 12 | EMTS-3180E2* | NS | 092929 | 15 | EMTS-3180E4TP* | NS | 061743 | 12 |
| 18 | 240 | 1 | 41 | 3 | 47-7/8 | EMTS-3180* | NS | 092873 | 12 | EMTS-3180E2* | NS | 092937 | 15 | EMTS-3180E4TP* | NS | 061751 | 12 |
| 18 | 240 | 3 | 41 | 3 | 47-7/8 | EMTS-3180 | NS | 092881 | 12 | EMTS-3180E2 | NS | 092945 | 15 | EMTS-3180E4TP | NS | 061760 | 12 |
| 18 | 480 | 1 | 41 | 3 | 47-7/8 | EMTS-3180 | NS | 092890 | 12 | EMTS-3180E2 | NS | 092953 | 15 | EMTS-3180E4TP | NS | 061778 | 12 |
| 18 | 480 | 3 | 41 | 3 | 47-7/8 | EMTS-3180 | S | 092902 | 12 | EMTS-3180E2 | NS | 092961 | 15 | EMTS-3180E4TP | NS | 061786 | 12 |

Stock Status: **S** = stock NS = non-stock
 To Order—Specify model, volts, phase, kW, PCN and quantity.

1. Heaters with General Purpose Enclosures are UL Listed and CSA Certified except Models with *(Exceeds 48 Amps).
2. Heaters with Moisture Resistant/Explosion Resistant Enclosures are CSA_{US} Certified except Models with *(Exceeds 48 Amps).



Same-day shipping on stock item orders received before 4 pm CST.
 3-day shipping on assembly-stock items.